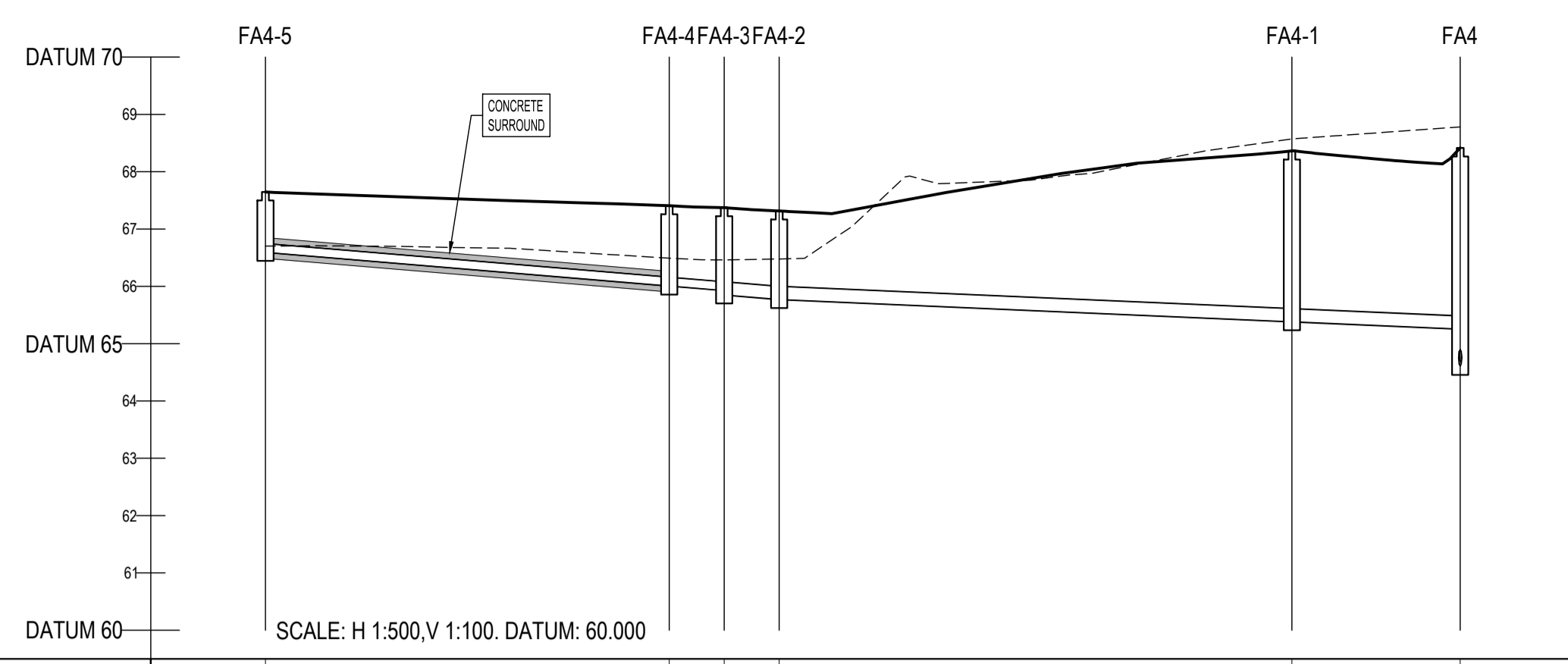
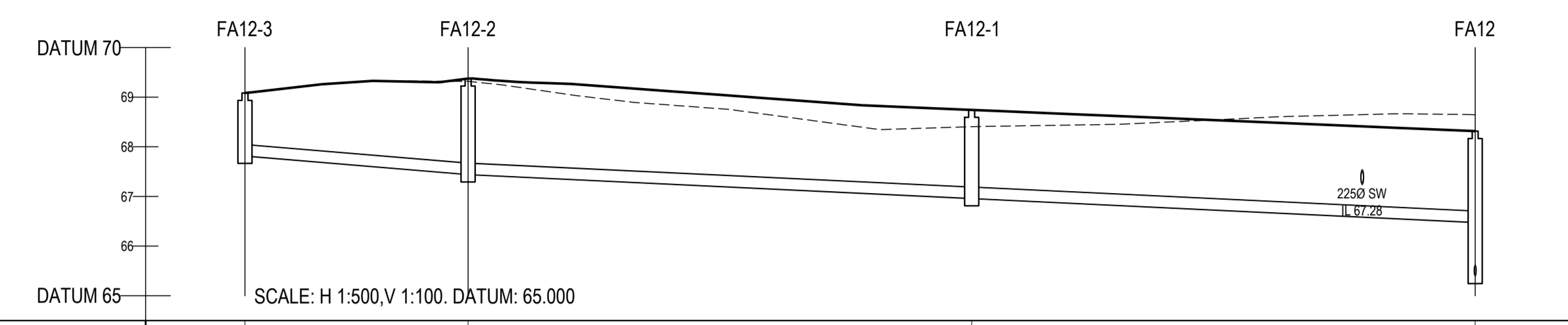


ON ORIGINAL
 © COPYRIGHT OF THIS DRAWING IS RESERVED BY DBFL CONSULTING ENGINEERS. NO PART SHALL BE REPRODUCED OR TRANSMITTED WITHOUT THEIR WRITTEN PERMISSION.
 NO CHANGES OF WHATSOEVER NATURE ARE TO BE MADE TO ANY DETAILS SET OUT OR CONTAINED IN ANY DBFL SPECIFICATIONS OR DRAWINGS UNLESS THE EXPRESS CONSENT HAS BEEN OBTAINED IN ADVANCE, IN WRITING, FROM DBFL.

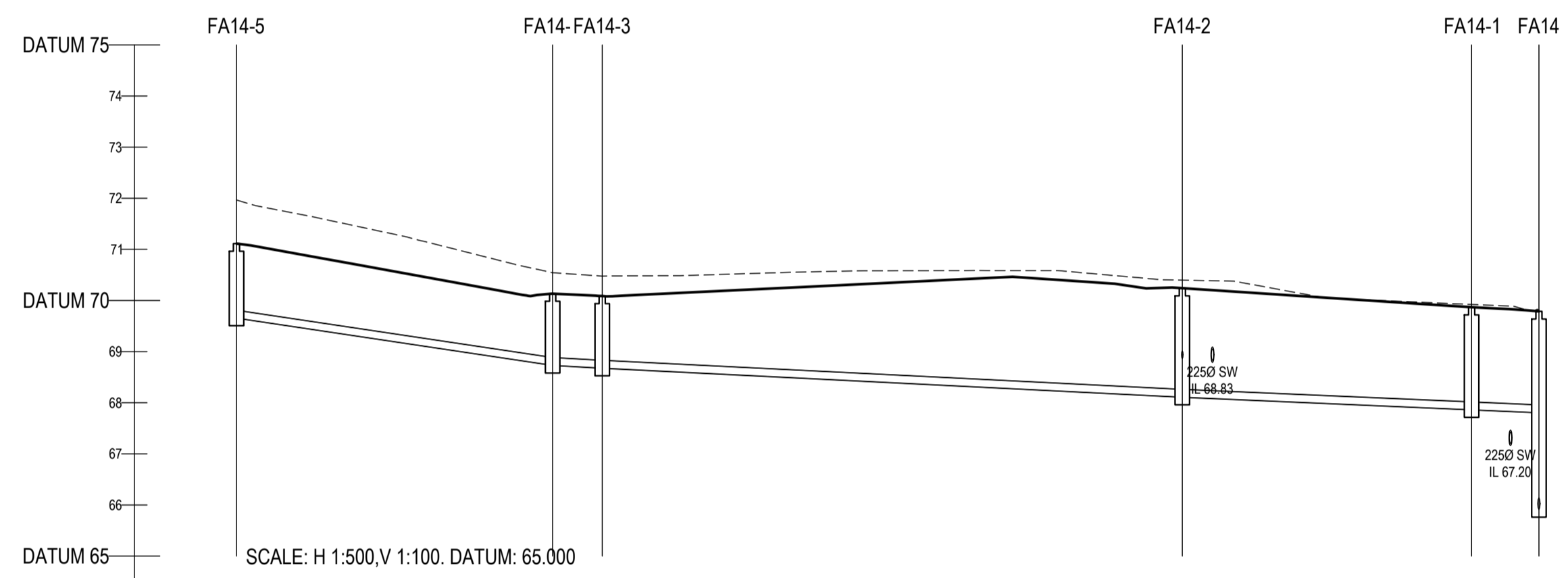
- NOTES:
- ALL DRAWINGS TO BE CHECKED BY CONTRACTOR ON SITE AND ENGINEER INFORMED OF DISCREPANCIES BEFORE WORK COMMENCES
 - ALL LEVELS ARE IN METRES AND ARE RELATED TO ORDINANCE DATUM
 - CONTRACTOR SHALL SATISFY HIMSELF AS TO THE ACCURACY OF PAVEMENT LEVELS ON SITE PRIOR TO COMMENCEMENT OF WORKS ON SITE
 - ALL WORKS TO BE CONSTRUCTED IN ACCORDANCE WITH THE NRA SPECIFICATION FOR ROAD WORKS UNLESS NOTED OTHERWISE
 - THIS DRAWING IS FOR PLANNING PURPOSES ONLY
 - MANHOLE COVER LEVELS ARE TO CONFORM WITH FINISHED ROAD AND PATH LEVELS
 - WHERE COVER TO PIPE IS LESS THAN 1200mm (ROAD/PATH/VERGE) OR 900mm (OPEN SPACE) SURROUND PIPE IN MINIMUM 150mm CONCRETE



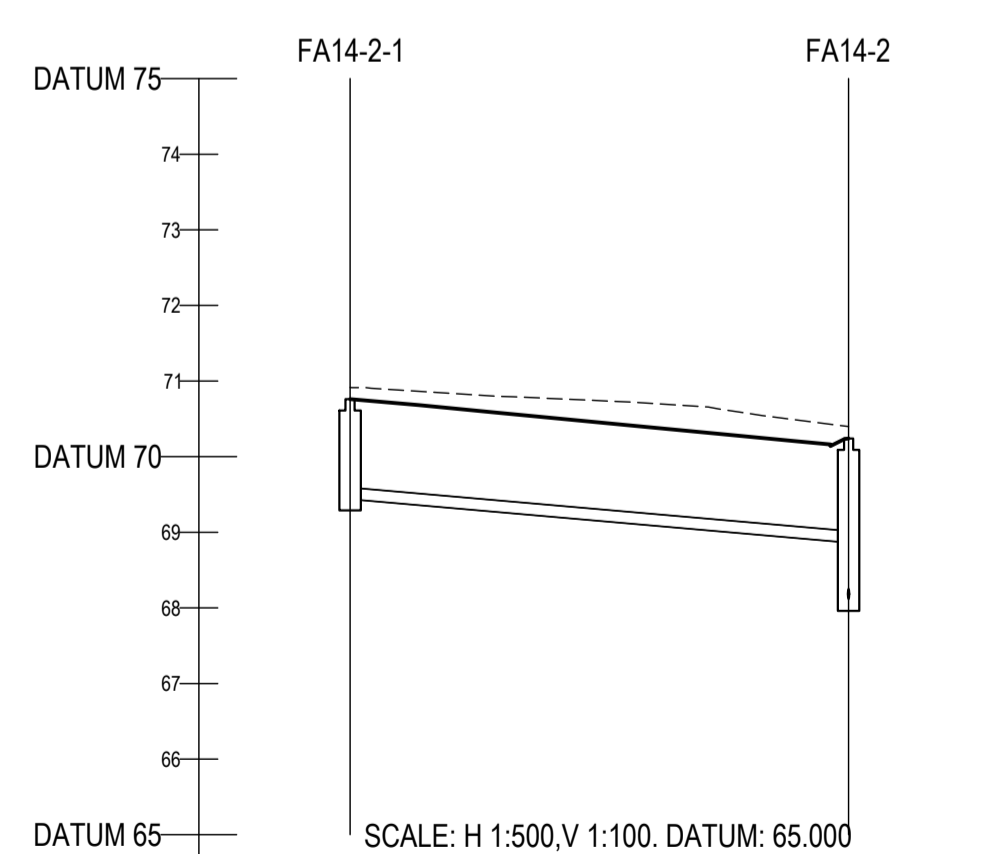
COVER LEVEL	67.648	67.407	67.374	67.316	68.363	68.415
INVERT LEVEL	66.594	19.000	66.007	65.927	65.882	65.225
DEPTH (m)	1.054	1.400	1.322	1.544	2.480	3.810
DISTANCE (m)		35.22	4.80	4.80	44.72	14.68
PIPE SLOPE		1:60	1:60	1:60	1:115	1:115
PIPE SIZE		150mm	225mm	225mm	225mm	225mm
PIPE TYPE		uPVC SN8	uPVC SN8	uPVC SN8	uPVC SN8	uPVC SN8



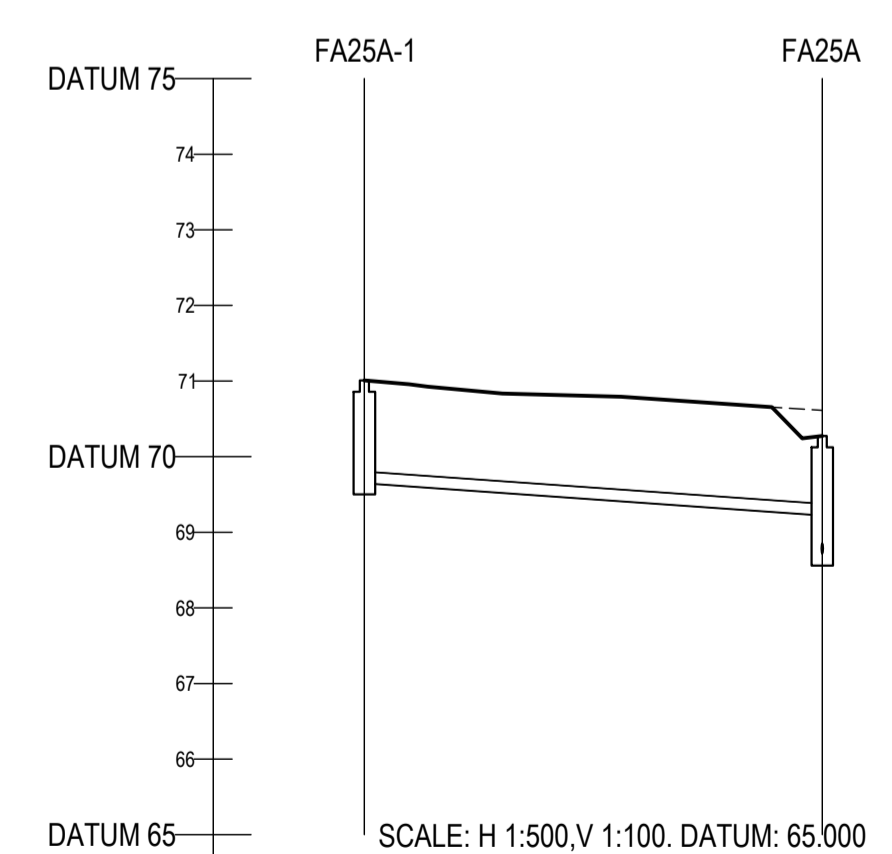
COVER LEVEL	69.084	69.374	68.743	68.316
INVERT LEVEL	67.817	14.000	67.443	66.990
DEPTH (m)	1.267	1.831	1.793	2.322
DISTANCE (m)		22.45	50.66	14.001 (2)
PIPE SLOPE		1:60	1:105	1:105
PIPE SIZE		225mm	225mm	225mm
PIPE TYPE		uPVC SN8	uPVC SN8	uPVC SN8



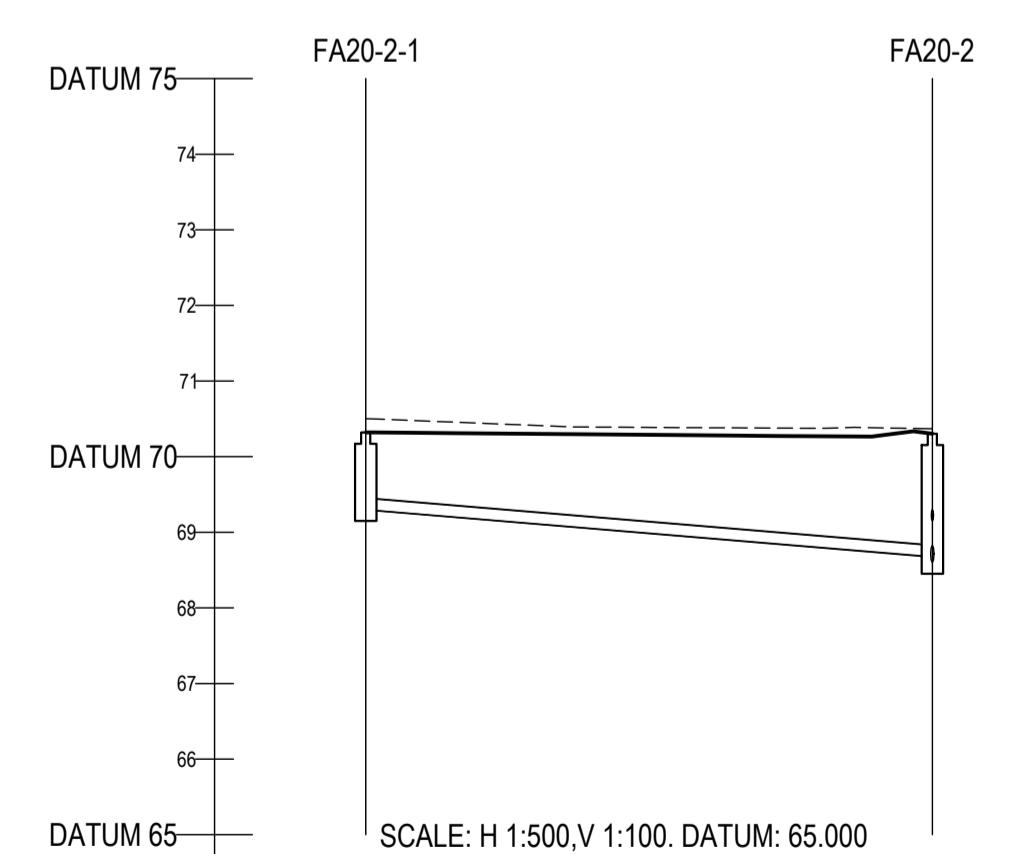
COVER LEVEL	71.112	70.134	70.088	70.240	69.888	69.788
INVERT LEVEL	69.657	9.000	68.732	68.109	67.853	67.805
DEPTH (m)	1.455	1.402	1.411	2.131	2.035	3.975
DISTANCE (m)		30.95	4.85	56.80	28.32	6.59
PIPE SLOPE		1:33	1:88	1:100	1:115	1:115
PIPE SIZE		150mm	150mm	150mm	225mm	225mm
PIPE TYPE		uPVC SN8	uPVC SN8	uPVC SN8	uPVC SN8	uPVC SN8



COVER LEVEL	70.761	70.240
INVERT LEVEL	69.439	68.864
DEPTH (m)	1.322	2.131
DISTANCE (m)		32.97
PIPE SLOPE		1:57
PIPE SIZE		150mm
PIPE TYPE		uPVC SN8



COVER LEVEL	71.028	70.274
INVERT LEVEL	69.660	69.221
DEPTH (m)	1.368	1.984
DISTANCE (m)		30.28
PIPE SLOPE		1:71
PIPE SIZE		150mm
PIPE TYPE		uPVC SN8



COVER LEVEL	70.321	70.304
INVERT LEVEL	69.300	68.675
DEPTH (m)	1.021	1.703
DISTANCE (m)		37.48
PIPE SLOPE		1:60
PIPE SIZE		150mm
PIPE TYPE		uPVC SN8

KEY
 ----- EXISTING GROUND PROFILE
 _____ PROPOSED GROUND PROFILE

rev	date	description	GMC	BCM
P01	01-09-22	STAGE 3 SHD PLANNING		
A-		Approved		
B-		Approved with comments		
C-		Do not use		

S2 - INFORMATION | issue purpose | PLANNING

DBFL Consulting Engineers
 Civil, Structural & Transportation Engineering
 www.dbfl.ie

DUBLIN OFFICE: Ormond House, Upper Ormond Quay, Dublin 7, D07 W704
 PHONE: +353 (0)1 450 4000
 CORK OFFICE: Phoenix House, Monahan Road, Cork, T12 H1XV
 PHONE: +353 (0)21 2054538
 WATERFORD OFFICE: Suite 10 The Arkum, Maritime Gate, Canada Street, Waterford, X91 W028
 PHONE: +353 (0)51 309 500

project ref.
ASHBOURNE SHD

drawing title
LONGITUDINAL SECTIONS THROUGH FOUL SEWER SHEET 4

client
ARNUB LTD. & ASPECT HOMES (ADC) LTD

designed by	author	scale	sheet size
BCM	GMC	H 1:500, V 1:100	A1
drawing no.	revision		
200059-DBFL-FW-SP-DR-C-3304	P01		